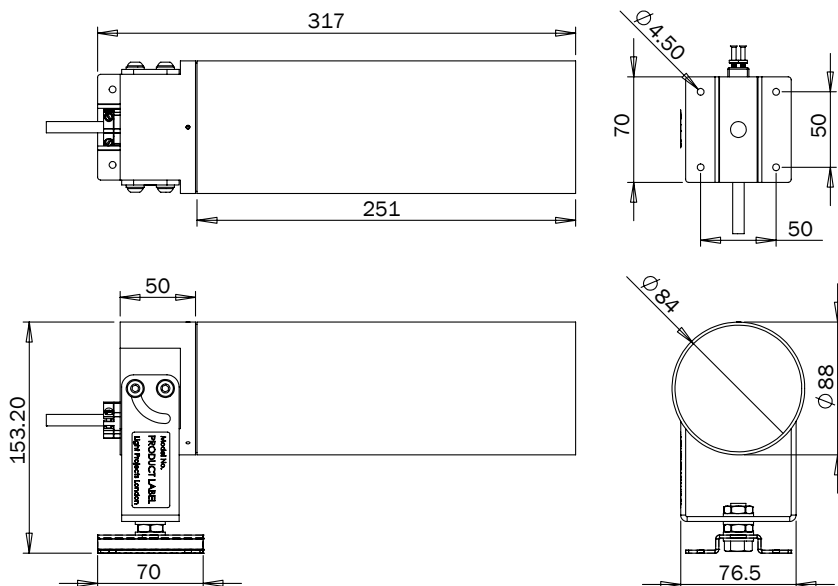


Specification Sheet 37501-0*

Issue Date: May 2008



Product Name:

Max Image 1

Description:

MR16 Remote Low Voltage Surface Mounted Gobo Projector

Part Number:

37501-0*

* = Finish Code

TECHNICAL DETAILS

Lamp: QRBC35 / HRGI-GU5.3-51

Lamp Holder: Bi-Pin GX5.3

Supply Voltage: 12V

Lamp Voltage: 12V

Max Lamp Wattage: 75W

Weight: 2.8kg (excluding cable)

Glass Size: Ø85mm

Supplied Cable: 2.5m 2-Core 1.5mm² Silicone

Housing:

Anodised Aluminium housing with a PTFE painted finish

Transformer:

Requires a remote SELV transformer to EN60742 or BS3535

For more information please refer to transformer specification sheet TRE001

Gobo: size E 37.5mm diameter

Zoom Beam Angle: 25° to 45°

NB Light fittings become hot during use – please exercise appropriate caution.



Sample Lamp Data for MR16 Tungsten Halogen |51mm Dichroic Reflector

Beam Detail	LP Code	AV Lamp Life / hours	Colour Temperature / K
12° ESX 20W	105-248	5,000	2,900
12° FRB 35W	105-251	5,000	3,000
14° EXT 50W	105-253	6,000	3,050
15° EYF 75W	105-257	4,000	3,050

Beam angle and peak illumination vary with focus of lenses.

FINISHES AVAILABLE

White (RAL 9016)
Part Number 37501-01

Black (RAL 9011)
Part Number 37501-02

Specified BS/RAL
Part Number 37501-03 + BS/RAL No

FACTORY FITTED OPTIONS

Extra cable per m - state length 247-0081/**m

NB
Max length of cable 20W - 12m
35W - 7m
50W - 5m
75W - 3.3m

ACCESSORIES / SPARES

Replacement Standard Snoot	247-0907-*
Replacement C Spring for lens	247-09061
Replacement C Spring for Gobo	247-09062
Colour Glass	247-0910-***
(See sheet CG001)	
Colour Dichroic Glass	247-0915-***
(See sheet CDG001)	
Ground Spike Remote 200mm	247-0141-*
Ground Spike Remote 500mm	247-0142-*
IP66 Connection Box Replacement	247-0080
Replacement Lamp Holder	247-0189
Replacement Lens	247-0979

SPECIFICATION EXAMPLE

Marker 1, Black Finish with extra 2m cable and 12V 50W 14° Lamp:

Fitting Code (with finish) + Option Code + Accessory Codes + Lamp Code

37501-02 + 247-0081/2m + 105-253

Lightscape Projects is a division of the Light Projects Group of companies, London. **Product Improvements** In pursuance of the Light Projects Group policy of continuing product improvement, the products and product specifications included in this publication are liable to be modified without notice. **Trademarks** Unless otherwise indicated, the trademarks and tradenames in this publication are registered, or unregistered, industrial property rights of Light Projects Limited. **Patents** The fitting in this publication may be covered by Patents, Patent Applications and/or Design Registrations. Designed to conform to BS EN 60598. This specification sheet supersedes all previous. Please notify Light Projects Limited of any inaccuracies immediately. E&OE.

Light Projects 23 Jacob St London SE1 2BG Tel +44 (0)20 7231 8282 Fax +44 (0)20 7237 4342
Website www.lightprojects.co.uk Email info@lightprojects.co.uk